

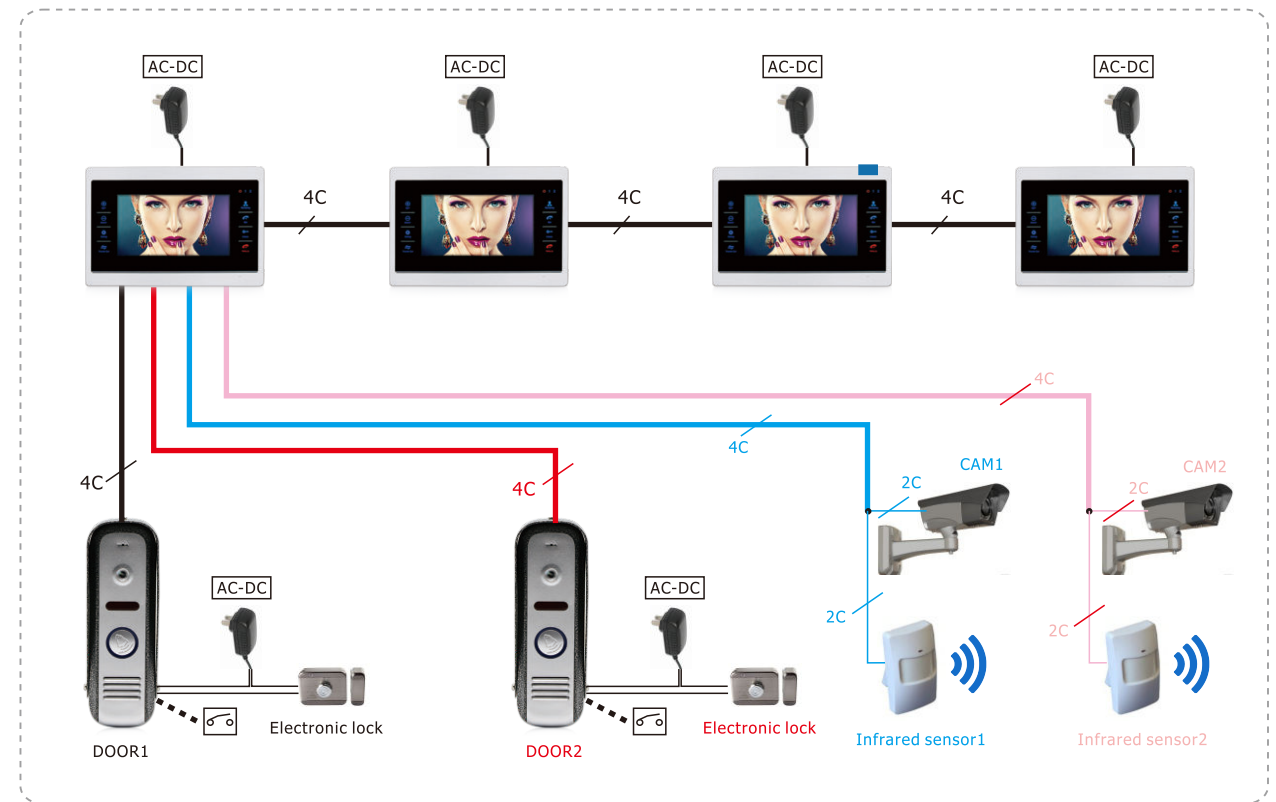
4 Wire Villa Video Intercom



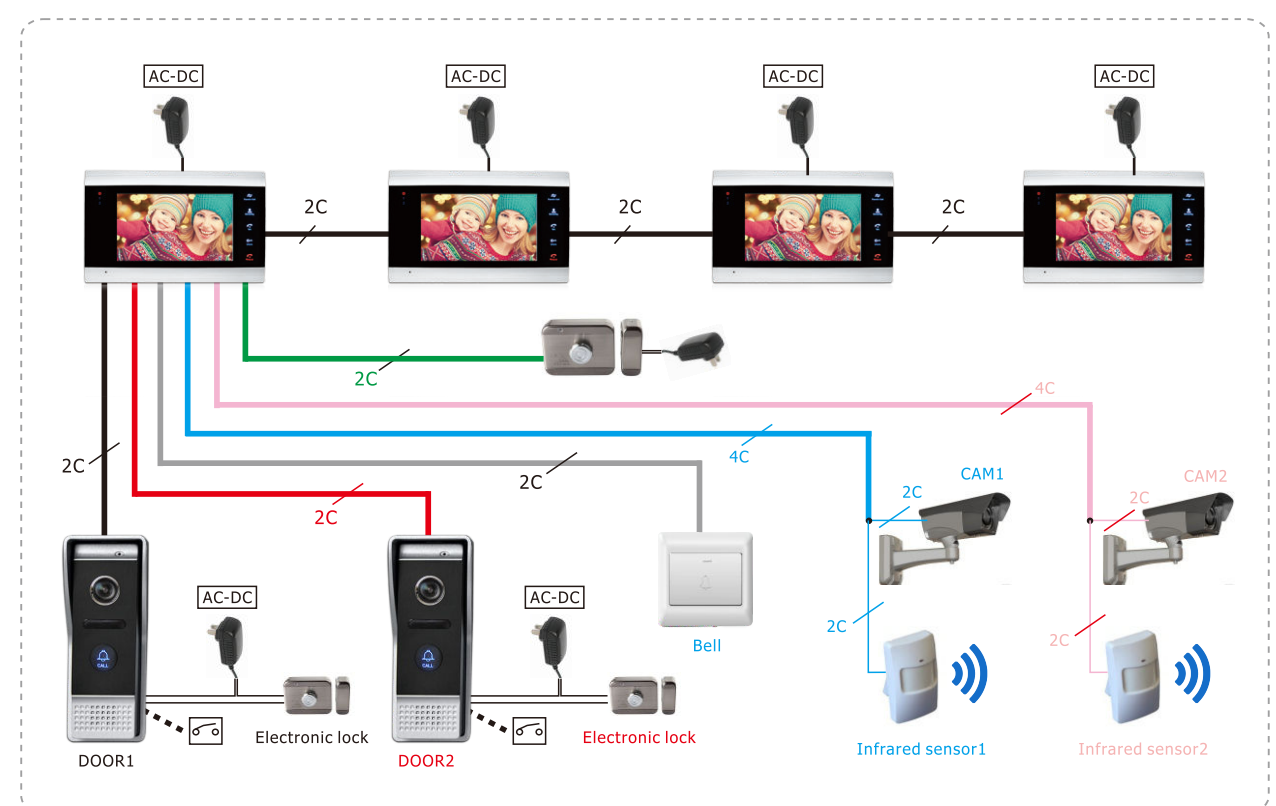
System Diagram

Villa video intercom system

4 Wire Villa Intercom System



2 Wire Villa Intercom System



10" Indoor Monitor

4 Wire Villa video intercom



Features

- 10" TFT display, wire drawing aluminum case
- Sensor's button, with storage
- Support 2 call panel + 4 indoor monitor + 2 CCD camera, each call panel can set different ringtones
- Time & clock keep display on monitor stand-by mode
- Built-in motion detection function
- Multi-language OSD menu (English, Arabia, Polish, French, Spanish, Czech, Russia, Slovak, Lithuania optional)



JT105

10" Indoor Monitor

4 Wire Villa video intercom



JT101



JT102



JT103



JT104

Specifications

Model	JT101/JT102/JT103/JT104/JT105/JT119	
Monitor	10" TFT LCD	
Resolution	1024(H)*3(RGB)*600(V)	
Memory	Built-in memory can save 86pictures, support max.32G SD card	
Intercom Mode	Hands-free dual communication	
Conversation	120s	
Motion Detection	Yes	
Sensor's Key	Yes	
Power Consumption	500mA max.	
Power Supply	External power DC12V	Built-in power AC100-240V
Operating Temp	-10℃—+60℃	
Installation	Surface mount	

7" Touch Screen

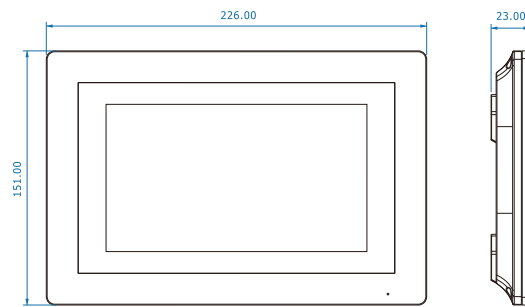
4 Wire Villa video intercom



JT709T

Features

- 7" TFT LCD touch screen, wire drawing aluminum case
- Touch screen, with storage
- Support 2 call panel + 4 indoor monitor + 2 CCD camera, each call panel can set different ring tones
- Time & clock keep display on monitor stand-by mode
- Built-in motion detection function
- Multi-language OSD menu (English, Arabia, Polish, French, Spanish, Czech, Russia, Slovak, Lithuania optional)



7" Touch Screen

4 Wire Villa video intercom



JT704T



JT703T



JT718T



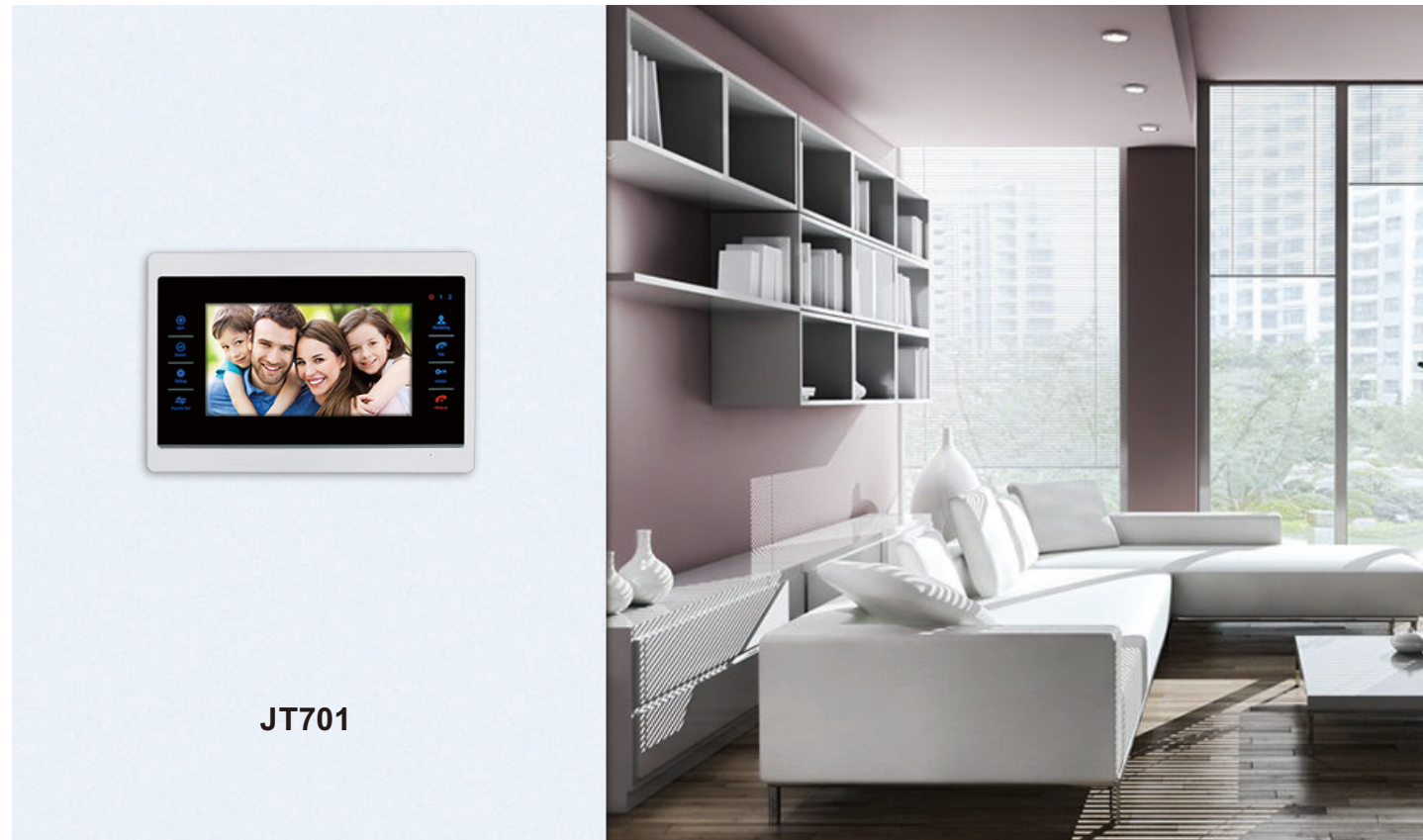
JT714T

Specifications

Model	JT709T/JT704T/JT703T/JT718T/JT714T	
Monitor	7" TFT LCD touch screen	
Resolution	800(H)*3(RGB)*480(V)	
Memory	Built-in memory can save 86pictures, support max.32G SD card	
Intercom Mode	Hands-free dual communication	
Conversation	120s	
Motion Detection	Yes	
Touch Screen	Yes	
Power Consumption	400mA max.	
Power Supply	External power DC12V	Built-in power AC100-240V
Operating Temp	-10℃—+60℃	
Installation	Surface mount	

7" Sensor Button Monitor

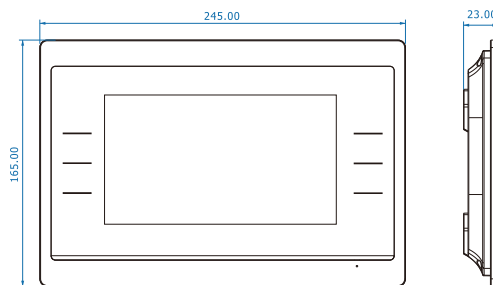
4 Wire Villa video intercom



JT701

Features

- 7" TFT display, wire drawing aluminum case
- Sensor's button, with storage
- Support 2 call panel + 4 indoor monitor + 2 CCD camera, each call panel can set different ring tones
- Time & clock keep display on monitor stand-by mode
- Built-in motion detection function
- Multi-language OSD menu (English, Arabia, Polish, French, Spanish, Czech, Russia, Slovak, Lithuania optional)



7" Sensor Button Monitor

4 Wire Villa video intercom



JT701



JT702



JT703



JT704

Specifications

Model	JT701/JT702/JT703/JT704	
Monitor	7" TFT LCD	
Resolution	800(H)*3(RGB)*480(V)	
Memory	Built-in memory can save 86pictures, support max.32G SD card	
Intercom Mode	Hands-free dual communication	
Conversation	120s	
Motion Detection	Yes	
Sensor's Key	Yes	
Power Consumption	400mA max.	
Power Supply	External power DC12V	Built-in power AC100-240V
Operating Temp	-10℃—+60℃	
Installation	Surface mount	

7" Sensor Button Monitor

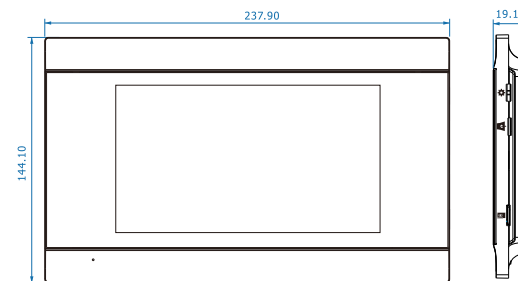
4 Wire Villa video intercom



JT706

Features

- 7" TFT display, wire drawing acrylic case
- Sensor's button, with storage
- Support 2 call panel + 4 indoor monitor + 2 CCD camera, each call panel can set different ring tones
- Time & clock keep display on monitor stand-by mode
- Built-in motion detection function
- Multi-language OSD menu (English, Arabia, Polish, French, Spanish, Czech, Russia, Slovak, Lithuania optional)

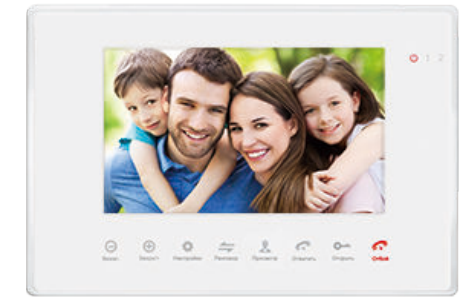


7" Sensor Button Monitor

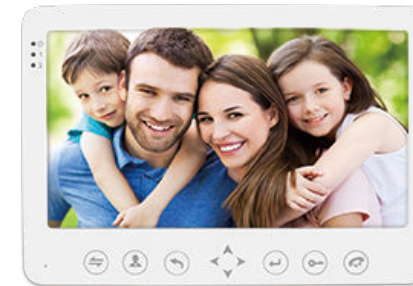
4 Wire Villa video intercom



JT708



JT714



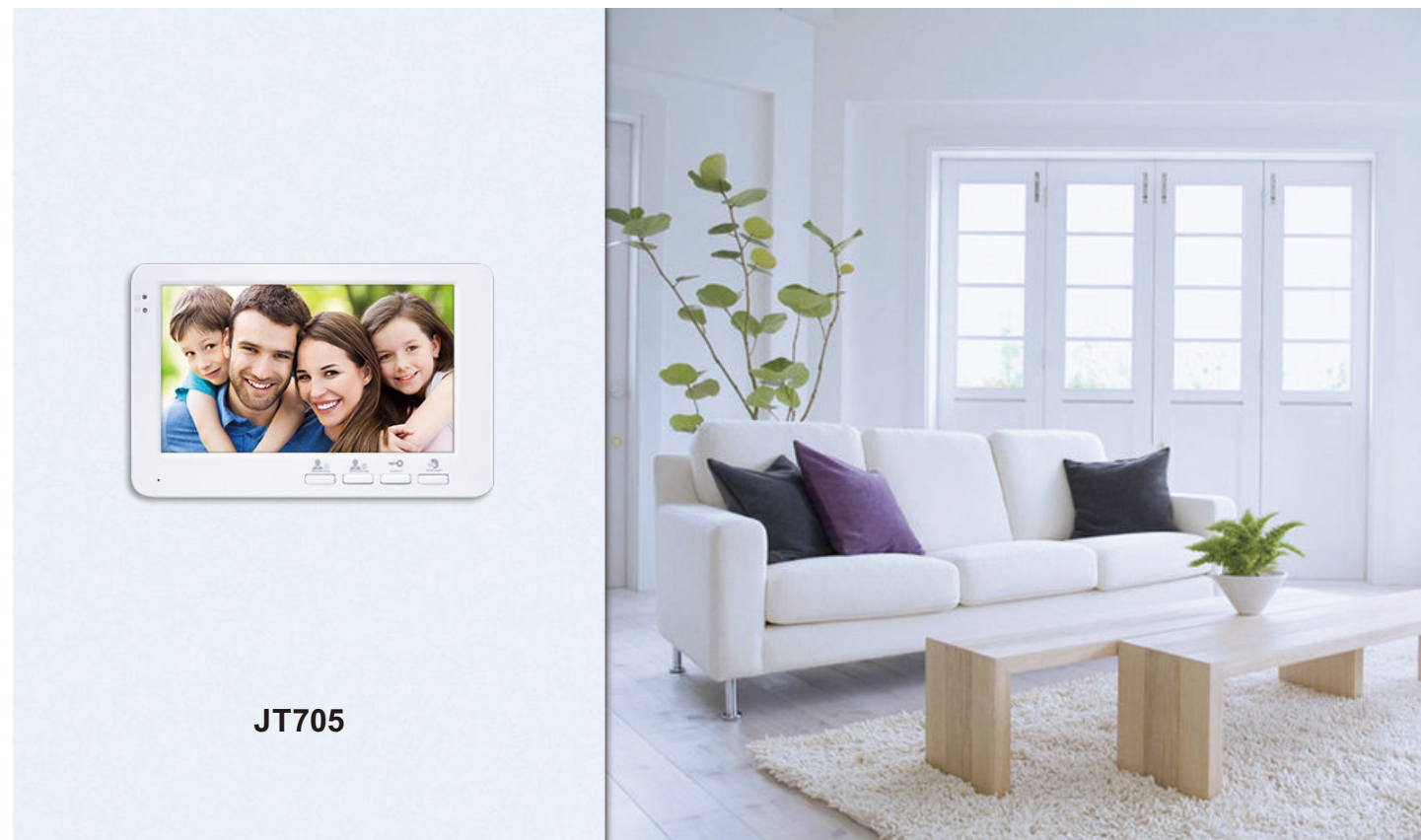
JT715

Specifications

Model	JT706/JT708/JT714/JT715	
Monitor	7" TFT LCD	
Resolution	800(H)*3(RGB)*480(V)	
Memory	Built-in memory can save 86pictures, support max.32G SD card	
Intercom Mode	Hands-free dual communication	
Conversation	120s	
Motion Detection	Yes	
Sensor's Key	Yes	
Power Consumption	400mA max.	
Power Supply	External power DC12V	Built-in power AC100-240V
Operating Temp	-10℃—+60℃	
Installation	Surface mount	

7" Physical Button Monitor

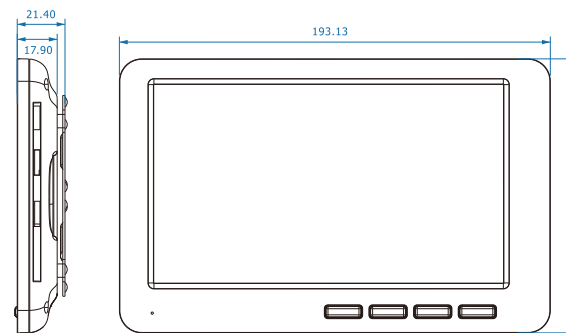
4 Wire Villa video intercom



JT705

Features(JT705)

- 7" TFT LCD display, plastic case
- Economic item, without memory
- Physical button
- Support 2 call panel + 1 indoor monitor
- Unlocking/Monitoring/Talking
- Suitable for different electronic locks



7" Physical Button Monitor

4 Wire Villa video intercom

Features

- 7" TFT display, wire drawing plastic case
- Physical button, with storage
- Support 2 call panel + 4 indoor monitor + 2 CCD camera, each call panel can set different ring tones
- Time & clock keep display on monitor stand-by mode
- Built-in motion detection function
- Multi-language OSD menu (English, Arabia, Polish, French, Spanish, Czech, Russia, Slovak, Lithuania optional)



JT713



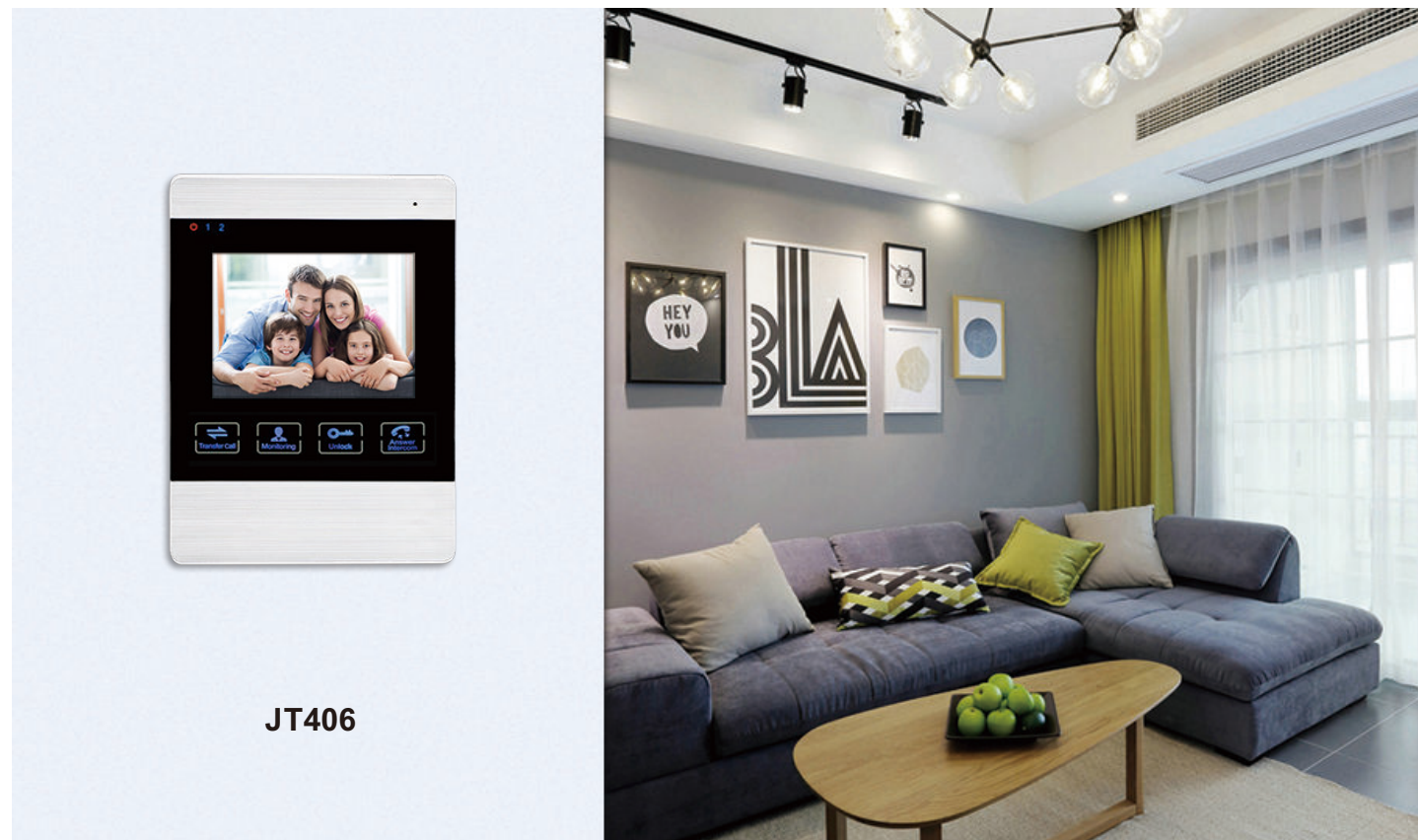
JT717

Specifications

Model	JT713/JT717	JT705
Monitor	7" TFT LCD	
Resolution	800(H)*3(RGB)*480(V)	
Memory	Built-in memory can save 86pictures, support max.32G SD card	No
Intercom Mode	Hands-free dual communication	
Conversation	120s	
Motion Detection	Yes	No
Physical Button	Yes	
Power Consumption	400mA max.	
Power Supply	External power DC12V	Built-in power AC100-240V
Operating Temp	-10℃—+60℃	
Installation	Surface mount	

4.3" Sensor Button Monitor

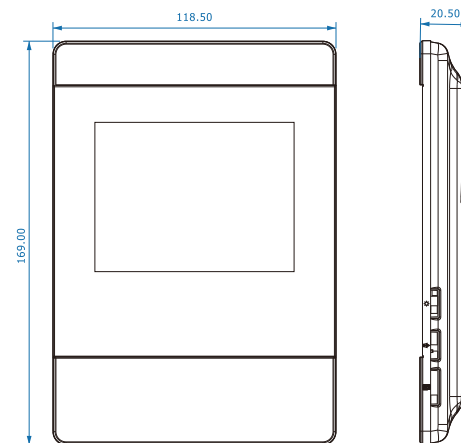
4 Wire Villa video intercom



JT406

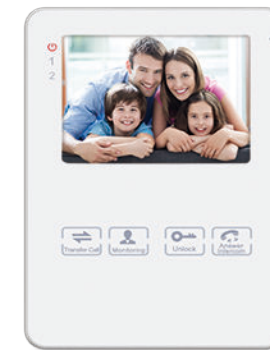
Features

- 4.3" TFT display, wire drawing acrylic case
- Sensor's button, with storage
- Support 2 call panel + 4 indoor monitor + 2 CCD camera, each call panel can set different ring tones
- Time & clock keep display on monitor stand-by mode
- Built-in motion detection function
- Multi-language OSD menu (English, Arabia, Polish, French, Spanish, Czech, Russia, Slovak, Lithuania optional)



4.3" Sensor Button Monitor

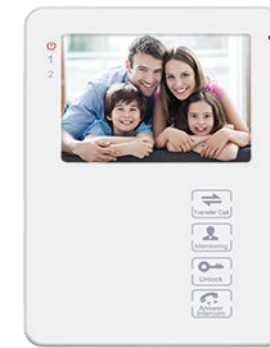
4 Wire Villa video intercom



JT401



JT404



JT403



JT402

Specifications

Model	JT401/JT402/JT403/JT404/JT406	
Monitor	4.3" TFT LCD	
Resolution	320(H)*3(RGB)*240(V)	
Memory	Built-in memory can save 86pictures, support max.32G SD card	
Intercom Mode	Hands-free dual communication	
Conversation	120s	
Motion Detection	Yes	
Physical Button	Yes	
Power Consumption	300mA max.	
Power Supply	External power DC12V	Built-in power AC100-240V
Operating Temp	-10℃—+60℃	
Installation	Surface mount	

4.3" Physical Button Monitor

4 Wire Villa video intercom



JT417

Features(JT415/JT417)

- 4.3" TFT display, wire drawing acrylic case
- Physical button, with storage
- Support 2 call panel + 4 indoor monitor + 2 CCD camera, each call panel can set different ring tones
- Time & clock keep display on monitor stand-by mode
- Built-in motion detection function
- Multi-language OSD menu (English, Arabia, Polish, French, Spanish, Czech, Russia, Slovak, Lithuania optional)



JT415

4.3" Physical Button Monitor

4 Wire Villa video intercom

Features

- 4.3" TFT LCD display, plastic case
- Economic item, without memory
- Physical button
- Support 2 call panel + 1 indoor monitor
- Unlocking/Monitoring/Talking
- Suitable for different electronic locks



JT407

Specifications

Model	JT415/JT417	JT407
Monitor	4.3" TFT LCD	
Resolution	320(H)*3(RGB)*240(V)	
Memory	Built-in memory can save 86pictures, support max.32G SD card	No
Intercom Mode	Hands-free dual communication	
Conversation	120s	
Motion Detection	Yes	No
Physical Button	Yes	
Power Consumption	300mA max.	
Power Supply	External power DC12V	Built-in power AC100-240V
Operating Temp	-10℃—+60℃	
Installation	Surface mount	

Outdoor Station

4 Wire Villa video intercom



JT213

Features

- Robust slim metal construction
- 420TVL/600TVL/800TVL resolution optional
- 2.8mm CMOS wide angle lens
- 110° horizontal view
- Support 200 RFID card
- Illuminated doorbell button
- Weather resitant Ip65 rating
- Embedded box included
- IR LED's for better night vision



JT215

Outdoor Station

4 Wire Villa video intercom



JT211F



JT211

Specifications

Model	JT211F/JT211		JT213/JT215
Unlock	Finger print or RFID card		RFID card or code
Definition	420TVL	600TVL	800TVL
Camera Sensor	1/4" CMOS	1/3" CMOS	1/3" CMOS
View Angle	2.8mm wide-angle lens optional		
LEDs For Night Vision	IR LEDs(120°)		
Power Consumption	200mA max.		
Standby Consumption	50mA max.		
Power Supply	Supplied from indoor unit		
Operating Temp	-40℃ —+50℃		
Installation	Surface mount and flush mount		

Outdoor Station

4 Wire Villa video intercom



Features(JT201)

- Robust slim metal construction
- 420TVL/600TVL/800TVL resolution optional
- 3.7mm CMOS pinhole lens optional
- 68° horizontal view
- Illuminated doorbell button
- Weather resistant Ip65 rating
- 45° angle bracket & rain cover & embedded box optional
- IR LED's for better night vision



JT201

Outdoor Station

4 Wire Villa video intercom

Features(JT212)

- Robust slim metal construction
- 420TVL/600TVL/800TVL resolution optional
- 2.8mm CMOS wide angle lens
- 110° horizontal view
- Support 200 RFID card unlock optional
- Illuminated doorbell button
- Weather resistant Ip65 rating
- Embedded box included
- IR LED's for better night vision



Specifications

Model	JT212-1/JT212-2/JT212-1-ID/JT212-2-ID		JT201
Unlock	RFID card unlock		
View Angle	2.8mm wide-angle lens		3.7mm pinhole lens
Definition	420TVL	600TVL	800TVL
Camera Sensor	1/4" CMOS	1/3" CMOS	1/3" CMOS
LEDs For Night Vision	IR LEDs(120°)		
Power Consumption	200mA max.		
Standby Consumption	50mA max.		
Power Supply	Supplied from indoor unit		
Operating Temp	-40℃ —+50℃		
Installation	Surface mount and flush mount		

Outdoor Station

4 Wire Villa video intercom



JT210

Features

- Robust slim metal construction
- 420TVL/600TVL/800TVL resolution optional
- 3.6mm CMOS lens
- 75° horizontal view
- Illuminated doorbell button
- Weather resistant Ip65 rating
- Embedded box included
- IR LED's for better night vision



JT209

JT208

Outdoor Station

4 Wire Villa video intercom



■ ■ JT214

■ ■ JT216

Specifications

Model	JT210/JT209/JT208/JT214/JT216		
Definition	420TVL	600TVL	800TVL
Camera Sensor	1/4" CMOS	1/3" CMOS	1/3" CMOS
View Angle	3.6mm lens, 75° angle		
LEDs For Night Vision	IR LEDs(120°)		
Power Consumption	200mA max.		
Power Supply	Supplied from indoor unit		
Operating Temp	-40℃—+50℃		
Installation	Surface mount		

Outdoor Station

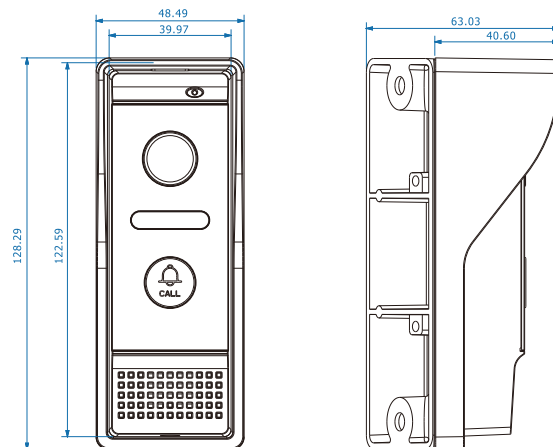
4 Wire Villa video intercom



JT203

Features

- Robust slim metal construction
- 420TVL/600TVL/800TVL resolution optional
- 2.8mm CMOS wide angle lens/3.7mm CMOS pinhole lens optional
- 68° /110° horizontal view
- Illuminated doorbell button
- Weather resistant Ip65 rating
- 45° angle bracket & rain cover included
- IR LED's for better night vision



Outdoor Station

4 Wire Villa video intercom



JT202

JT204

JT206



Specifications

Model	JT203/JT202/JT204/JT206		
View angle	3.7mm pinhole lens or 2.8mm wide-angle lens optional		
Definition	420TVL	600TVL	800TVL
Camera sensor	1/4" CMOS	1/3" CMOS	1/3" CMOS
LEDs For Night Vision	IR LEDs(120°)		
Power Consumption	200mA max.		
Power Supply	Supplied from indoor unit		
Operating Temp	-40℃ —+50℃		
Installation	Surface mount		